



**7 in 2 TB Pro Edition  
Multiport Hub**  
Model #: LQ48008

## Product Manual

Package Contents  
USB-C Multiport Hub x1,  
User Manual x1

www.LINQbyELEMENTS.dk

Thank you for purchasing our 7 in 2 TB Pro Edition Multiport Hub.

Please read this user manual carefully and keep it in a safe place for future reference. If you need any assistance, please contact our support team with your product model number and order number of relevant sales channel.

### Product Specifications



#### HDMI Output Port

Up to 4k UHD (3840 x 2160@ 60Hz), supports 1440p / 1080p / 720p / 480p / 360p



#### USB-A Port

Super Speed USB-A 3.1 Gen 1, Max data transfer speed 5Gbps Power Supply up to 4.5W Max.



#### SD & TF Card Slot

Supported memory card capacity up to 512GB.



#### USB-C Female Port 1

Charging up to 100W of Power Delivery 3.0 (Only for laptop charging)



#### USB-C Female Port 2

Thunderbolt™ 3 Pass-through, Support Max 40Gbps, Max 100W



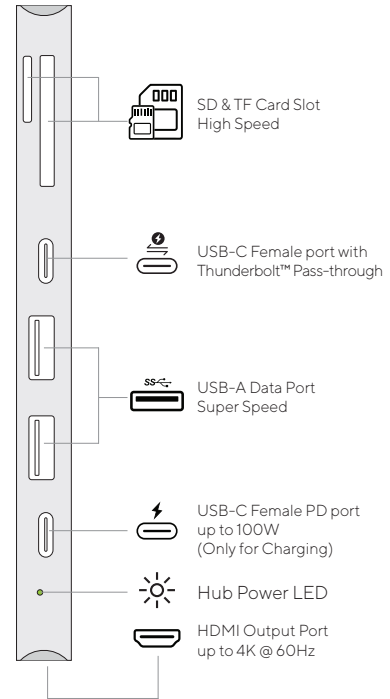
#### USB-C Male x2

Compatible with Thunderbolt 3, Dedicated design for use with dual USB TypeC port Macbook.

System Requirements:  
MacOSX v10.0 or above operating systems

Plug and play:  
Yes

### Overview



NOTE: Some products might have the different icons on our Female Port 2 but rest assured that both models have similar product specification and supports USB-C Thunderbolt™ Passthrough



Old Icon



New Icon

## Notes

1. The 100W charging speed can only be acquired when used with a 100W rated USB-C PD cable.
2. The USB Data Ports of this product supports Max. 5V 900mAh total charging output.
3. For more stable connection when using high-power devices, connect a PD Power Adaptor to the USB-C female PD port.
4. The USB-C female PD port of this product is only for charging USB-C laptops whose USB-C Port supports USB Power Delivery (PD). The PD USB-C female port of this product does not support data transfer.
5. The USB-C female data port of this product is Thunderbolt™ 3.0 Pass-through and supports both data & Power Delivery.
6. A 4K capable display and a 4K capable HDMI cable are required to achieve 3840 x 2160 resolution.
7. HDMI 1.4 cables only support 30Hz, HDMI 2.0 cables support 4K up to 60Hz.
8. 4K 60Hz Compatibility requires a DP 1.4 compatible type-C port on your device.

## How to Use

Plug the USB-C male connector of the Hub into the USB-C port on your USB-C laptop.

1. USB-C Power Delivery: Charge your laptop by plugging the USB-C Charger to the Multiport Hub USB-C Female Power Delivery (PD) port.
2. HDMI Output: Connect to your UHDTV or projector with an HDMI 2.0 cable via the HDMI output port and watch videos from your USB-C laptop on your TV or other HDMI-enabled devices.
3. USB-C Super Speed: Connect your smart phone, tablet, hard drive or other USB-C peripherals via the USB-C 3.1 Port and transfer data between your computer and connected device.
4. USB-A Super Speed: Connect your smart phone, tablet, mouse, keyboard, hard drive or other USB peripherals via the USB-A 3.1 ports and transfer data between your computer and connected device.
5. SD/TF Card Reader: Insert your memory card into the SD/TF Card Slot to directly access files stored in the SD/TF card on your USB-C laptop. SD/TF memory cards can be used on the hub simultaneously.

## Troubleshooting

if you experience any issues or have any question regarding the hub, please visit the support and FAQ page on our website for most up to date information.

LINQ | Support  
<https://linqbyelements.dk/support.html>

## Compatibilities

Details regarding compatibility of devices can be found on our website or consult your devices manual.

visit:  
[www.LINQbyELEMENTS.dk](http://www.LINQbyELEMENTS.dk)