



## 6 in 1 USB-C Multiport Hub

Model #: LQ48003

### Product Manual

Package Contents  
USB-C Multiport Hub x1,  
User Manual x1

[www.LINQbyELEMENTS.dk](http://www.LINQbyELEMENTS.dk)

Thank you for purchasing our 6 in 1 USB-C Multiport Hub.

Please read this user manual carefully and keep it in a safe place for future reference. If you need any assistance, please contact our support team with your product model number and order number of relevant sales channel.

### Product Specifications



#### HDMI Output Port

Up to 4k UHD (3840 x 2160@ 60Hz), supports 1440p / 1080p / 720p / 480p / 360p



#### USB-A Port

Super Speed USB-A 3.1 Gen 1, Max data transfer speed 5Gbps Power Supply up to 4.5W Max.



#### USB-C PD Female Port 1

Charging up to 100W of Power Delivery 3.0 (Only for laptop charging)



#### USB-C Female Port 2

Super Speed USB-C 3.1 Gen 1, Max data transfer speed 5Gbps Power Supply up to 4.5W Max. (Only for Data Transfer)



#### RJ 45 Ethernet

Max Ethernet Speeds up to 1000Mbps



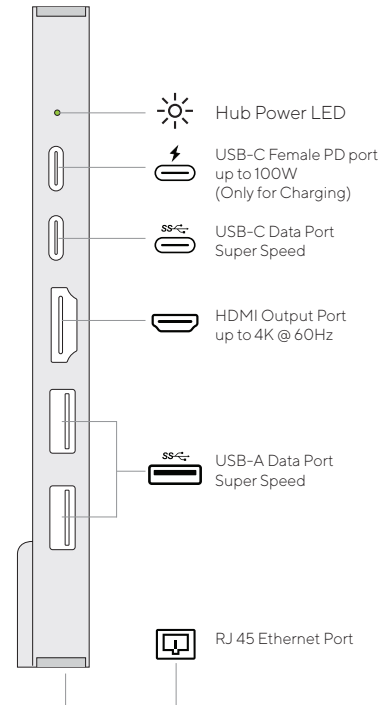
#### USB-C Male

Compatible with Thunderbolt 3, Make sure that the host USB-C port on your device complies with the USB3.0/3.1 Specification

System Requirements:  
Laptop with an available USB-C Port  
Windows 7/8/10, MacOSX v10.0 or above operating systems,  
USB 3.0/3.1

Plug and play:  
Yes

### Overview



## Notes

1. The up to 100W charging speed can only be achieved when used with a 100W rated USB-C PD cable in combination of 100W type-C PD Power Adapter.
2. The USB Data Ports of this product supports Max. 5V 900mAh total charging output.
3. For more stable connection when using high-power devices, connect a PD Power Adaptor to the USB-C female PD port.
4. The USB-C female PD port of this product is only for charging USB-C laptops whose USB-C Port supports USB Power Delivery (PD). The PD USB-C female port of this product does not support data transfer.
5. The USB-C female data port of this product is only for data transfer. The USB-C female data port of this product does not support charging.
6. A 4K capable display and a 4K capable HDMI cable are required to achieve 3840 x 2160 resolution.
7. HDMI 1.4 cables only support 30Hz, HDMI 2.0 cables support 4K up to 60Hz.
8. 4K 60Hz Compatibility requires a DP 1.4 compatible type-C port on your device.

## How to Use

Plug the USB-C male connector of the Hub into the USB-C port on your USB-C laptop.

1. USB-C Power Delivery: Charge your laptop by plugging the USB-C Charger to the Multiport Hub USB-C Female Power Delivery (PD) port.
2. HDMI Output: Connect to your UHDTV or projector with an HDMI 2.0 cable via the HDMI output port and watch videos from your USB-C laptop on your TV or other HDMI-enabled devices.
3. USB-C Super Speed: Connect your smart phone, tablet, hard drive or other USB-C peripherals via the USB-C 3.1 Port and transfer data between your computer and connected device.
4. USB-A Super Speed: Connect your smart phone, tablet, mouse, keyboard, hard drive or other USB peripherals via the USB-A 3.1 ports and transfer data between your computer and connected device.
5. RJ45 Ethernet: Connect to your network via RJ45 Ethernet cable

## Troubleshooting

if you experience any issues or have any question regarding the hub, please visit the support and FAQ page on our website for most up to date information.

LINQ | Support  
<https://linqbyelements.dk/support.html>

## Compatibilities

Details regarding compatibility of devices can be found on our website or consult your devices manual.

visit:  
[www.LINQbyELEMENTS.dk](http://www.LINQbyELEMENTS.dk)